

Part #	Use w/ Model #	When	Description	Specs	Cement Hole Diam.	Cement Hole Depth.	Slab Depth	Qty per Set
6257	6201, 6203, 6205, 6207, 6401, 6403, 6405, 6407, 6804	Permanent Mounting in fresh concrete	Cement/Asphalt Kit- must be placed in fresh cement or asphalt.	1.8#				1
6258	6201, 6203, 6205, 6207, 6401, 6403,	Permanent Mounting in Earth	Auger-type screw, powder coated	2.1#				1
6259	6405, 6407, 6804 6201, 6203, 6205, 6207, 6401, 6403,	Permanent Mounting in existing concrete	Mushroom Head-zinc coated carbon steel anchor spike for mounting	3/8" x 6"	3/8"	3.25"	4"	4
6260	6803, 6806, 6809, 6903, 2103, 2106, 2109, 2113, 2203 2206, 2213	Permanent Mounting in existing concrete	Mushroom head - zinc coated carbon steel anchor spike for mounting	3/8" x 3"	3/8"	3"	4"	8
6261-S	8002, 8004 (S=Single)	Permanent Mounting in existing concrete	Mushroom head - zinc coated carbon steel anchor spike for mounting	1/2" x 5"	1/2"	3"	4"	2
6261-D	8001, 8003 (D=Double)	Permanent Mounting in existing concrete	Mushroom head - zinc coated carbon steel anchor spike for mounting	1/2" x 5"	1/2"	3"	4"	3
6262-S	8002, 8004 (S=Single)	Temporary Mounting in existing concrete	Zinc Plated Steel stud, removable concrete anchor	1/2" x 5 1/2"	1/2"	3.5"	5"	2
6262-D	8001, 8003 (D=Double)	Temporary Mounting in existing concrete	Zinc Plated Steel stud, removable concrete anchor	1/2" x 5 1/2"	1/2"	3.5"	5"	3
6263	6803, 6806, 6809, 6903, 2103, 2106, 2109, 2113, 2203, 2206, 2213	Temporary Mounting in existing concrete	Lag bolts & shields	5/16" x 2"	1/2"	2"	4"	16 (8 bolts, 8 shields)

Model #	6201	6203	6205	6207	6401	6403	6405	6407	6802	6803	6804	6805	6806	6808	6809	6810	6902	6903
Fresh Concrete	6257	6257	6257	6257	6257	6257	6257	B.G.	B.G.	6257	B.G.	B.G.	B.G.	B.G.	B.G.	B.G.	B.G.	B.G.
Earth	6258	6258	6258	6258	6258	6258	6258	6258	B.G.	6258	B.G.	B.G.	B.G.	B.G.	B.G.	B.G.	B.G.	B.G.
Concrete-Perm.	6259	6259	6259	6259	6259	6259	6259	6259	6260	6259	6260	6260	6260	6260	6260	6260	6260	6260
Concrete-Temp.									6263	6263	6263	6263	6263	6263	6263	6263	6263	6263
Shipping/Weight	T/100	T/74	U/62	U/48	T/93	T/69	U/59	U/45	U/32	U/36	U/56	T/45	T/49	T/59	T/63	U/23	U/17	U/17

Model #	8001	8002	8003	8004	2102	2103	2105	2106	2108	2109	2112	2113	2202	2203	2205	2206	2212	2213
Fresh Concrete					B.G.	B.G.	B.G.	B.G.	B.G.	B.G.	B.G.	B.G.	B.G.	B.G.	B.G.	B.G.	B.G.	B.G.
Earth					B.G.	B.G.	B.G.	B.G.	B.G.	B.G.	B.G.	B.G.	B.G.	B.G.	B.G.	B.G.	B.G.	B.G.
Concrete-Perm.	6261-D	6261-S	6261-D	6261-S	6260	6260	6260	6260	6260	6260	6260	6260	6260	6260	6260	6260	6260	6260
Concrete-Temp.	6262-D	6262-S	6262-D	6262-S	6263	6263	6263	6263	6263	6263	6263	6263	6263	6263	6263	6263	6263	6263
Shipping/Weight	U/143	U/71	U/112	U/55	T/65	T/62	T/94	T/90	T/123	T/118	U/34	T/28	T/73	T/76	T/111	T/114	T/40	T/35

B.G.= Below Grade Mount, no mounting anchors required. *Large quantities ship via truck.
 "T" Truck "U" UPS

INNOVATIVE BICYCLE PARKING & STORAGE SOLUTIONS

5253 VERONA ROAD
 MADISON, WI 53711
 PH: 608-274-6550 / 800-783-7257
 FX: 608-274-1702

www.sarisparking.com

For additional information contact
prkmgr@graberproducts.com

In order to best serve our customers' needs, we have updated our manufacturing facilities with the latest state of the art tube forming, pipe bending equipment.

Saris has also added **customization** to our list of services. Whether you have a definite rack design in mind, or a unique situation, Saris can work to meet your needs.

Today's high priced bicycles bring a greater demand for security and peace of mind. Who is better qualified to know the needs and serve the wants of a cyclist, than a company that pioneered secure parking systems? Security and convenience have always been Saris' number one concern.

At Saris, we believe the ideal parking system takes into account modern lock and bicycle design, patterns and duration of cyclist use, maintenance and aesthetic concerns, the latest bicycle paint types as well as traffic patterns.



BIKE DOCKS

6900 Series-Bike Dock

- :: Inverted-U Style accomodates two bikes
 - :: Heavy duty, 1.66", 12 gauge schedule 40 pipe
 - :: Finished in a double-coat polyester TGIC coating
- Simple, affordable solution*



2100 SERIES-BIKE DOCK

- :: Inverted-U Style accomodates two bikes
 - :: Heavy duty, 2 3/8" outer diameter, 9 gauge schedule 40 pipe
 - :: Finished in a double-coat polyester TGIC coating
- Larger diameter pipe leaves less space between lock and rack, making it more tamper resistant than 6900 series*

2200 SERIES-BIKE DOCK

- :: Inverted-U Style accomodates two bikes
 - :: Heavy duty, 2" X 2" X 3/16" 7 gauge square tubing
 - :: Finished in a double-coat polyester TGIC coating
- Square tubing resists feeble efforts of thieves' pipe cutters*



TABLE OF CONTENTS

WELCOME.....1

CONTEMPORARY.....2-4

HIGH SECURITY.....5-8

TRADITIONAL.....9-10

STORAGE & DISPLAY.....11-12

MOUNTING ANCHORS/SHIPPING INFORMATION.....13

5253 VERONA ROAD
MADISON, WI 53711
608-274-6550 / 800-783-7257
www.sarisparking.com
For additional information contact
prkmgr@graberproducts.com

Specifications 6900 Series

1.66" 12 gauge electrowelded steel tubing

Model #	# Bikes	Type of mount	weight	length	width	height	Space Requirement
6902	2	below grade	17 lbs.	30"	2"	36"	68" x 110"
6903	2	flange mount	25 lbs.	34"	6"	36"	68" x 110"

Specifications 2100 Series

2 3/8" schedule 40 steel pipe, 9 gauge

Model #	# Bikes	Type of mount	weight	length	width	height	Space Requirement
2112	2	below grade	40 lbs.	30"	2.4"	36"	68" x 110"
2113	2	flange mount	35 lbs.	34"	6"	36"	68" x 110"

Specifications 2200 Series

2" X 2" X 3/16" 7 gauge square tubing

Model #	# Bikes	Type of mount	weight	length	width	height	Space Requirement
2212	2	below grade	40 lbs.	30"	2.4"	36"	68" x 110"
2213	2	flange mount	35 lbs.	34"	6"	36"	68" x 110"

The recommended parallel spacing between docks is 30 inches.

The unobtrusive Bike Dock is designed for areas where space is limited. Locking two bikes, the Bike Dock attractively saves space on the edge of walkways.

Available Colors

Columbia Red
3700016

Beige
3700027

Brown
3700029

John Deere Yellow
3700029

Safety Yellow
3700001

Emerald Green
3700020

Essex Green
3700004

Blue
3700028

Bright White
3700026

Dark Grey
3700007

Galvanized
3700005

Black
3700003

Due to variations in the printing process, the above reproductions are only a guide to actual powder coating colors when applied to metal substrates. Many additional designer colors available. Contact representative for samples.

What some might call simple, we call graceful. We combined a graceful, flowing design and sturdy utility in the Wave system. Without sharp corners, it's safe for children, and its elegance will enhance any architectural setting.

6800 SERIES-WAVE

- :: 1.66", 12 gauge tubular steel
 - :: Locking versatility with a standard cable lock or U-lock
 - :: Durable, double-coated polyester TGIC coating won't harm bike finish (standard color is black)
- Offers rugged utility at a price that is unbeatable in the market*



2100 SERIES- MILLENNIUM WAVE

- :: Heavy duty, 2 3/8" outer diameter, 9 gauge schedule 40 pipe
 - :: Durable, double-coated polyester TGIC coating won't harm a bike's finish
- Wider loop spacing provides easier loading and unloading of bicycles (over 6800 series)*



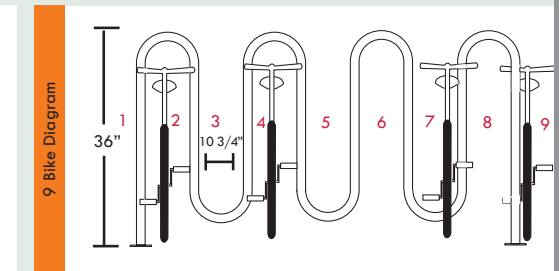
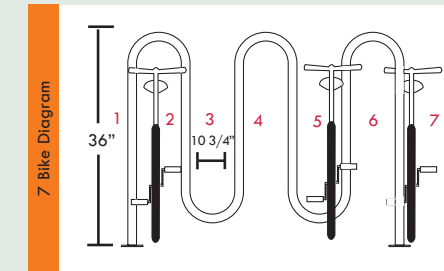
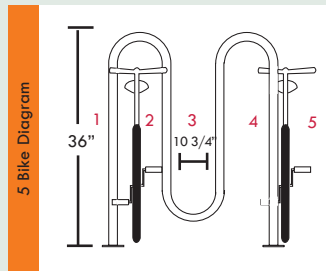
2200 SERIES-SQUARE WAVE

- :: Heavy duty, 2" x 2" outer diameter, 7 gauge square tubing, with 3/16" wall
 - :: Durable, double-coated polyester TGIC coating won't harm bike finish
 - :: Available in 5 and 7 bike style only
 - :: Most secure wave style rack available
- Pipe cutters don't stand a chance on this rack with its square profile*



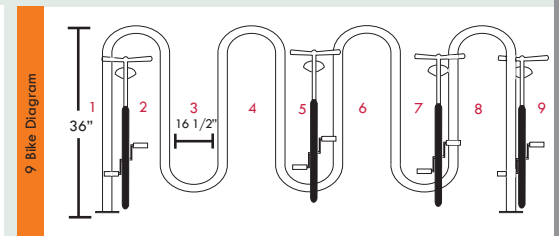
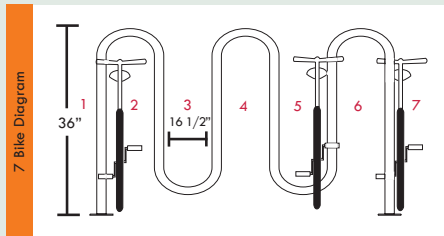
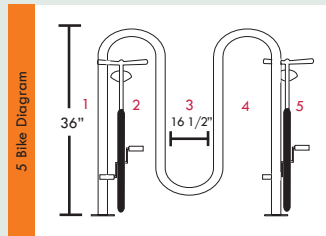
Specifications 6800 Series - WAVE

Model #	#Bikes	Type of mount	weight	Size of Tubing			Space Requirement with bikes
				length	width	height	
6802	5	below grade mount	26 lbs.	36"	2"	36"	66" x 110"
6803	5	flange mount	29 lbs.	40"	6"	36"	66" x 110"
6804	7	standard leg mount	56 lbs.	62"	36.5"	36"	92" x 110"
6805	7	below grade mount	38 lbs.	62"	2"	36"	92" x 110"
6806	7	flange mount	40 lbs.	66"	6"	36"	92" x 110"
6808	9	below grade mount	54 lbs.	86"	2"	36"	116" x 110"
6809	9	flange mount	60 lbs.	90"	6"	36"	116" x 110"



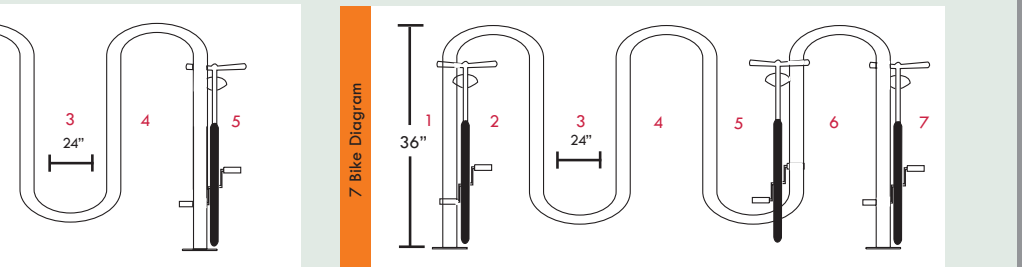
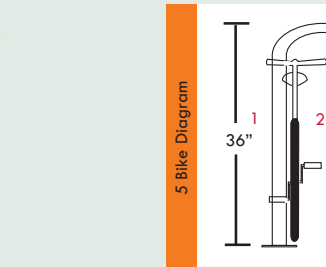
Specifications 2100 Series - MILLENNIUM WAVE

2102	5	below grade mount	57 lbs.	57"	2.4"	36"	87" x 110"
2103	5	flange mount	60 lbs.	60"	6"	36"	87" x 110"
2105	7	below grade mount	90 lbs.	93"	2.4"	36"	123" x 110"
2106	7	flange mount	95 lbs.	96"	6"	36"	123" x 110"
2108	9	below grade mount	108 lbs.	129"	2.4"	36"	159" x 110"
2109	9	flange mount	111 lbs.	132"	6"	36"	159" x 110"



Specifications 2200 Series - SQUARE TUBING WAVE

2202	5	below grade mount	73 lbs.	80"	2"	36"	107" x 110"
2203	5	flange mount	76 lbs.	84"	6"	36"	111" x 110"
2205	7	below grade mount	111 lbs.	132"	2"	36"	159" x 110"
2206	7	flange mount	114 lbs.	136"	6"	36"	163" x 110"



Available Colors

Columbia Red
3700016

Beige
3700027

Brown
3700029

John Deere Yellow
3700029

Safety Yellow
3700001

Emerald Green
3700020

Essex Green
3700004

Blue
3700028

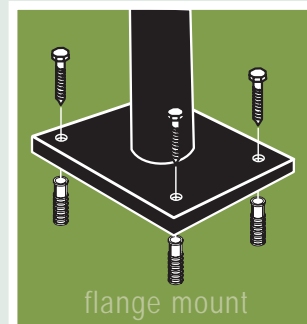
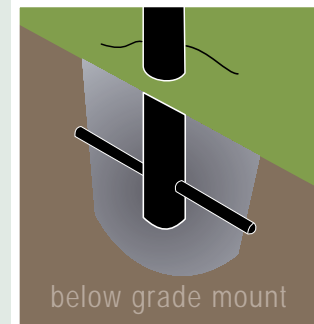
Bright White
3700026

Dark Grey
3700007

Galvanized
3700005

Black
3700003

Due to variations in the printing process, the above reproductions are only a guide to actual powder coating colors when applied to metal substrates. Many additional designer colors available. Contact representative for samples.



BIKE BANKS®

Bikes today can cost anywhere from \$300 to \$5000 dollars. With the inflation of bike costs comes increased risk of bicycle theft. The Bike Bank® has been specifically engineered to combat this risk, and has become the solution to many people's security problems. Since the Bike Bank's® introduction Saris has not received one report of a bike being stolen from this Class II rack.

In the interest of longevity for the bike and the rack, the Bike Bank® Plus is maintenance free, weather resistant powder coated, and gentle to bicycle frames.



Northern Illinois University



8001/8002 - BIKE BANK® PLUS

- :: Arms: rectangular 14 gauge steel tubing; 1 1/2" x 3"
 - :: Locking Arm: case hardened steel; 1/4" x 1 1/2" x 10 3/4"
 - :: Lock Shelter: 14 gauge steel; 9" x 12"
 - :: Locking Pins: case hardened steel; 5/8" diameter x 8"
 - :: Bolts to surface with special anchor expansion mounting bolts 1/2" x 6 1/2"
 - :: Storage Bank: 14 gauge steel; 9" x 12" x 21"
- Integrated storage bank is perfect for commuters, shoppers, and anyone who wants to secure their accessories while not with their bike*

8003/8004 - BIKE BANK®

- :: Bolts to surface with special anchor expansion mounting bolts 1/2" x 6 1/2"
 - :: Arms: rectangular 14 gauge steel tubing; 1 1/2" x 3"
 - :: Locking Arm: case hardened steel; 1/4" x 1 1/2" x 10 3/4"
- No reported cases of bicycle theft related to the Bike Bank® in over 10 years of field use*



The following features make the Bike Bank® very appealing for long term bicycle parking:

- :: A three point locking system locks the bicycle frame, both wheels, lock shelter and storage bank as one.
- :: Accommodates either padlocks or U locks in a tamper-proof steel locking shelter.
- :: Categorized as a Class II bike rack.
- :: The rolled steel storage bank is large enough to hold a bike helmet, rain gear, back pack and detachable bike accessories.
- :: A durable, maintenance free, weather resistant coating covers all areas of the unit that come in contact with the bicycle preventing scratching or marring of the bicycle's finish.

ALL INCLUSIVE...YOU TELL US YOUR DIMENSIONS, WE CUSTOMIZE YOUR LAYOUT!

Specifications 8000 Series

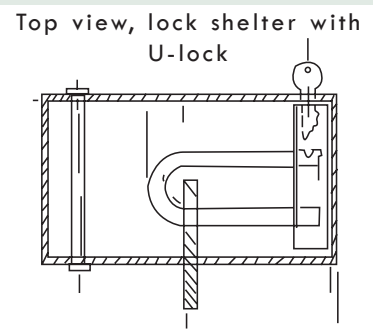
Model #	# Bikes	Type of mount	weight	length	width	height	Space Requirement
8001	2	double w/storage	143 lbs.	26.9"	54"	32.5"	81" x 66"
8002	1	single w/storage	71 lbs.	26.9"	23"	32.5"	34.5" x 66"
8003	2	double	112 lbs.	26.9"	54"	32.5"	81" x 66"
8004	1	single	55 lbs.	26.9"	23"	32.5"	34.5" x 66"

Anchors not included, call for installation options.

U.S. Patent #5,323,915

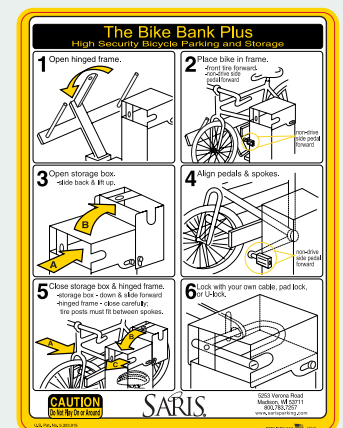
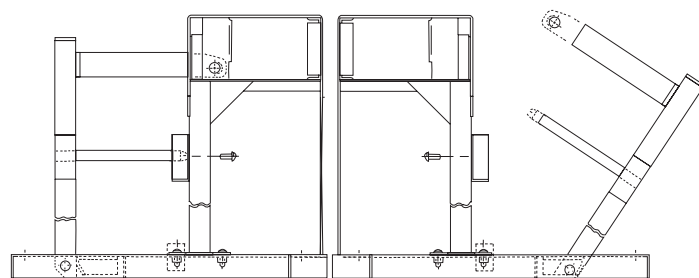
Quality of Materials:

All steel is 1010-1018 low carbon prime.
 Arms: rectangular, 14 ga. steel tubing (1 1/2" x 3")
 Locking arm: case hardened steel 1/4" x 1 1/2" x 10 3/4"
 Locking pins: case hardened steel 5/8" x 8"
 Lock shelter: 14 ga. steel 9" x 12" x 4"
 Storage Bank: 14 gage steel 9" x 12" x 21" Base, 3/16" steel x 1.75" x 4.9"
 Pivot pin: stainless steel, 1/2" x 4 1/4" Brass bushing .500 id x .695 od x .500 long.
 Finish: a corrosion protective under coating (Cathodic Epoxy Electro Coat) finished with a semigloss premium polyester.
 Tamper proof screws, nuts, and bolts feature commercial zinc plating.



Side view closed

Side view open



Manufacturing plants

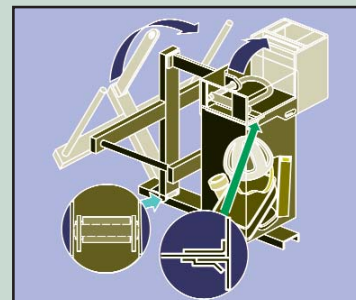
Designed for long term bicycle parking, such as:
Industrial Complexes and Office Districts.



Companies that provide bicycle parking systems such as the Bike Bank® can increase the number of employees who bike to work. Not only will employees save money on fuel costs, but these companies can then decrease their space requirements for automobile parking as well as take advantage of tax breaks.

Cyclists who bike to work recognize the Bike Banks® features easily accommodate their needs and lifestyles.

BIKE BANK®



BIKE BANK® PLUS

College & University

Designed to be used as a personal locker for students who bike to class and around campus.



Bicycles are a popular mode of transportation at colleges and universities. Many students use their bike as their main source of transportation. However, one problem plaguing universities and their students is bike theft.

To combat this issue Saris has introduced the Bike Bank®. Its patented design locks both wheels, the frame, and an integrated storage unit via one user provided lock. The Bike Bank® has a great track record. In the over ten years that Graber has manufactured the Bike Bank®, there have been no reported bike thefts related to this rack.

Park & Rides, Bus Stops, Transportation Terminals

Designed for long term bicycle parking, such as:

Bus, rail, ferry, light rail, and any other intermodal transportation stations. Numerous cities, villages and transit agencies are investigating ways to increase mass transit ridership. Promoting non-motorized travel options, such as bicycling actually increases intermodal transportation.



The Bike Bank® draws the commuting cyclist because it provides security for the bicycle owner who needs maximum protection against theft. It also offers the luxury and convenience of a personal storage area.



Metropolitan Urban Areas and Downtowns

Traffic congestion and poor air quality are a result of increased motor traffic. Many progressive cities are promoting cycling to ease the traffic grid lock in shopping and business districts. Officials in these cities find that providing simple and secure bicycle parking that provides personal storage will attract the cyclist who works in metro urban and downtown areas as well as the cyclist who shops there. The Bike Bank® has proven to be the answer as it is easy to use and provides high security with its three point locking system and storage area for users' personal belongings.

GRID RACKS

6200 SERIES - COMMERCIAL DUTY PARK-A-BIKE

This heavy-duty commercial series rack provides extra strength and longevity. The grid section features grid poles that are welded top and bottom to the frame, protecting the integrity of the rack. The grid section, along with its legs and cross section, are then electroplated in a chromate solution, after which an ultra seal is applied giving the rack a chrome sheen. An independent laboratory, Scientific Control Laboratories, Inc., did extensive testing on this new electroplating process. They found that hot dipped galvanizing showed 97% white corrosion after twenty-four hours of salt spray testing, while electroplating showed only small traces of corrosion after 288 hours. Saris is adopting this breakthrough process providing our customers with the best quality and aesthetically pleasing product available.



6203 Shown



6400 SERIES - PARK-A-BIKE

This moderately priced series allows you to have many of the amenities of our commercial series at a lower cost. All of its tubing components are pre-galvanized to prevent rust. The grid poles are riveted to the top and bottom frame. When it is installed the grid sections bolt to the legs which provides its stability.



6405 Shown

6210 - MIGHTY MITE

For tighter fits or moderate traffic, the Mighty Mite six-bike rack is the prudent choice. Lightweight yet solid, it's ideal for small business or residential use. This economical bike rack parks up to 6 bikes, is lightweight, and can be used indoors or out. The Mighty Mite's 1" outer diameter, 16 gauge frame provides strength, and its weatherproof coating provides durability.



Specifications 6200 Series

Model #	#Bikes	Description	weight	length	width	height	Space Requirement
Single and Double sided units							
6201	18 (9 each side)	standard leg mount	110 lbs.	111.5"	43"	31"	111.5" x 126"
6203	9	standard leg mount	74 lbs.	111.5"	28"	31"	111.5" x 72"
6205	10 (5 each side)	standard leg mount	62 lbs.	61.5"	43"	31"	61.5" x 126"
6207	5	standard leg mount	48 lbs.	61.5"	28"	31"	61.5" x 72"
Add-on kit							
6206		collar section for single sided	5 lbs.				
6208		collar section for double sided	5 lbs.				

Specifications 6400 Series

Model #	#Bikes	Description	weight	length	width	height	Space Requirement
Single and Double sided units							
6401	18 (9 each side)	standard leg mount	93 lbs.	111.5"	39"	31"	111.5" x 127"
6403	9	standard leg mount	69 lbs.	111.5"	25"	31"	111.5" x 71"
6405	10 (5 each side)	standard leg mount	59 lbs.	61.5"	39"	31"	61.5" x 127"
6407	5	standard leg mount	45 lbs.	61.5"	25"	31"	61.5" x 71"

Specifications 6210 Series

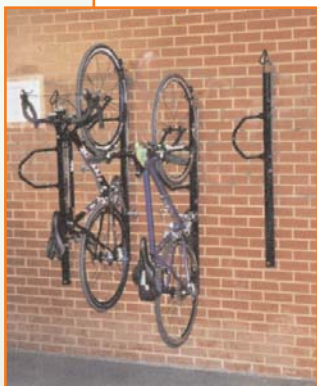
Model #	#Bikes	Description	weight	length	width	height	Space Requirement
6210	6	double sided	25 lbs.	35"	28"	29"	35" x 120"

VERTICAL/WALL MOUNT

6003 - BIKE TRAC

This versatile system is great for apartment and condominium parking, store display, or garage storage. It mounts on walls, studs, pillars, or posts. The wide wheel track accepts all bike tires. The full length wheel track keeps bikes securely in place, while the polyester coated steel arm protects them.

Mounting hardware included.



6006 - LOCKING BIKE TRAC

This heavy duty Bike Trac incorporates a 3/4" solid steel locking loop that allows users to secure their bike with an existing U-lock(not provided).

Perfect for limited space areas where leaving bikes unlocked is not an option.

1085 Wall Huggers

Use for bikes, hoses, ladders etc. Screw into studs. Holds up to 100 lbs. Provides 9" clearance from the wall. Master cartoned in quantities of 10 bagged sets.



1082 and 1083 J-hooks

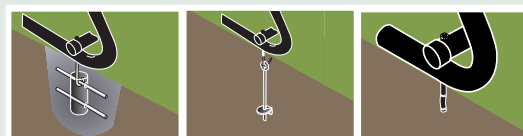
J type storage hooks. Can be used for bikes or other storage. Item #1082 is a 2 pack of the wood thread hooks. Item #1083 is master cartoned in quantities of 100 bulk per box.



1082/1083
Wood thread

6257 Cement Anchor / 6258 Earth Anchor / 6259 Spike Anchor

Use any of these anchors to secure your standard leg parking system. Special connector ties rack to embedded anchor to prevent moving or removal. Four anchors are recommended (at each corner). Three styles are available; cement anchors are buried in fresh cement or asphalt, earth anchors are installed like a wood screw, and mushroom head spikes are pounded into existing concrete.

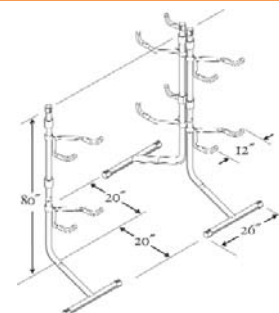


6007 - BIKE BUNK

A storage rack designed for both performance and value. By taking advantage of gravity, the Bike Bunk uses a sleek design to hold two bikes in almost any storage area. Secure two Bike Bunks back to back for storing up to four bikes in a self-standing unit. The contemporary black, textured polyester finish and sleeves protect your bicycles, while cushion pads and end caps protect floors and walls. The steel frame consists of 2" outer diameter 18 gauge tubing, and the arms incorporate 1" outer diameter 16 gauge tubing for unbeatable strength.

- :: Tubular Steel construction
- :: Adjustable arms move up and down to fit different size bike frames 12" wide and 12" out from wall
- :: Protective sleeve on arms hold and protect bicycles
- :: No permanent mounting to walls or floor required
- :: Cushion pads and end caps protect floors and walls

Get those bikes off of the floor! Perfect for apartments or wherever space is limited.



Secure two bikes against a wall or mount two Bike Bunks, back to back and store up to four bikes.



6213 - MINI MITE

- :: Zero assembly required
- :: Space efficient, compact design
- :: Parks up to 4 bikes



6012 - WHEEL ARCH

Multifunctional, inexpensive, indoor bicycle storage solution.

- :: Securely supports one bicycle by either front or rear wheel
- :: Comes pre-assembled. Not tools required.
- :: Easy to read instructions allow quick setup
- :: Oversize arms won't bend under load, keeps bicycles upright
- :: Folds down for easy, convenient, compact storage,
- :: Wide base won't tip over.
- :: Easily adjustable to accommodate narrow or wide tires.



Connects to additional units to display multiple bicycles

